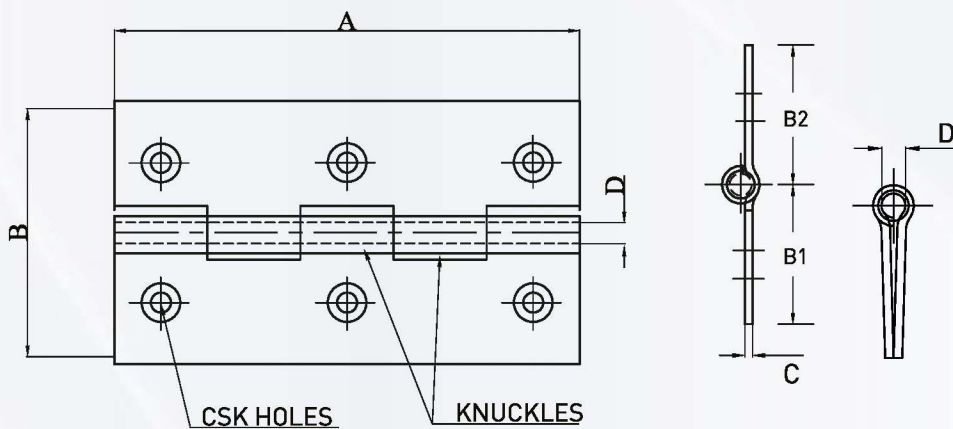


STAINLESS STEEL BEARING HINGES



Product Details

Size & Length of Hinges		Breadth	Thickness of Flap	Dia of Hinge Pin	No. of Screw Holes	Holes for Screw No	No of Knuckles
A in (Nom)	A mm	B mm	C mm	D mm			
4"	100	38	3	8	10	10	5
5"	125	38	3	8	10	10	5
6"	150	38	3	8	10	10	5