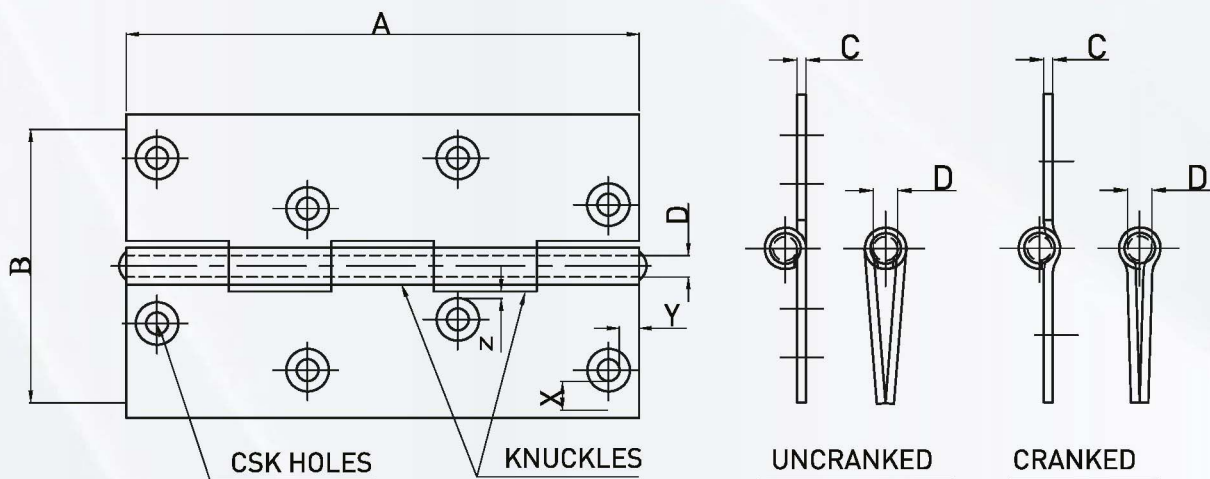


MILD STEEL BUTT HINGES NO. 959

MEDIUM WEIGHT / IS: 1341



Product Details

Size & Length of Hinges		Breadth	Thickness of Flap	Dia of Hinge Pin	No. of Screw Holes	Holes for Screw No	No of Knuckles
A in (Nom)	A mm	B mm	C mm	D mm			
1.5"	40	25	1.40	2.50	4	5	3
2"	50	37	1.50	3.15	4	6	3
2.5"	65	42	1.60	3.55	6	6	5
3"	75	47	1.70	4.00	6	7	5
4"	100	58	1.90	5.60	8	8	5
5"	125	65	2.12	5.60	8	9	5
6"	150	75	2.24	6.30	8	10	5
Non ISI							
4"	100	58	1.70	5.00	8	9	5