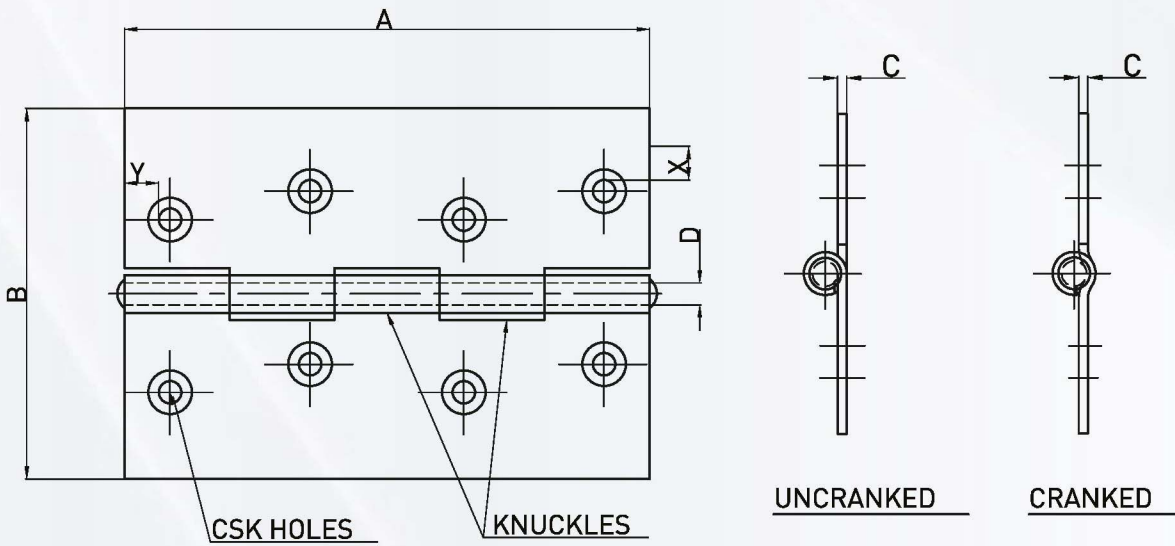


# MILD STEEL BUTT HINGES NO. 959

## BROAD TYPE / IS: 1341



### Product Details

Size & Length of Hinges		Breadth	Thickness of Flap	Dia of Hinge Pin	No. of Screw Holes	Holes for Screw No	No of Knuckles
A in (Nom)	A mm	B mm	C mm	D mm			
4"	100	70	1.90	5.60	8	9	5
6"	150	100	2.24	7.10	8	10	5