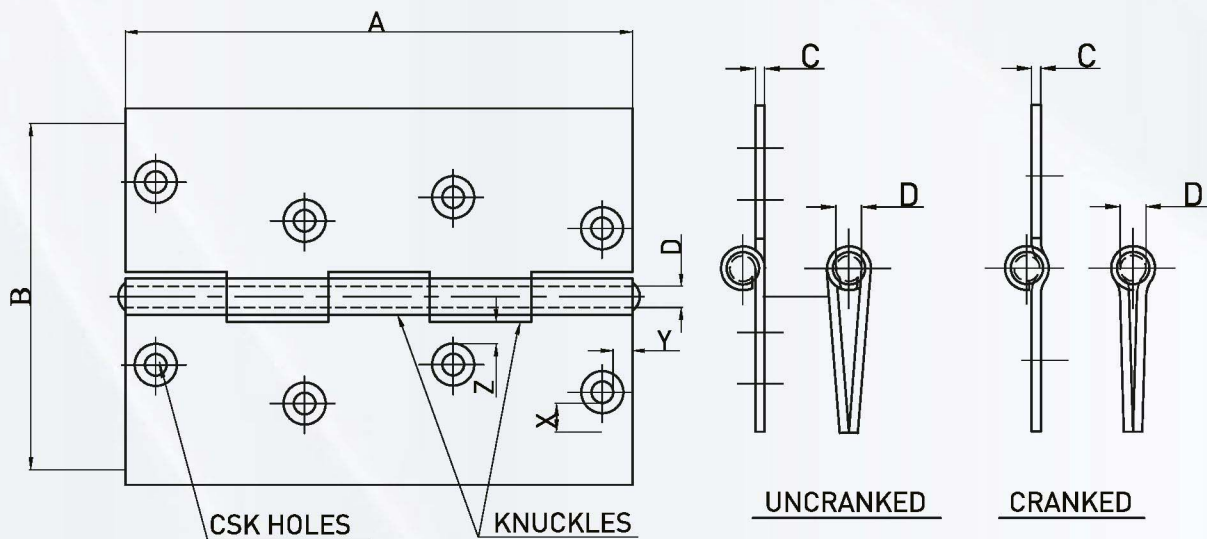


## MILD STEEL BUTT HINGES NO. 999

### HEAVY WEIGHT / IS: 1341



### Product Details

Size & Length of Hinges		Breadth	Thickness of Flap	Dia of Hinge Pin	No. of Screw Holes	Holes for Screw No	No of Knuckles
A in (Nom)	A mm	B mm	C mm	D mm			
3"	75	60	3.15	5.00	6	9	5
4"	100	75	3.15	6.30	8	12	5