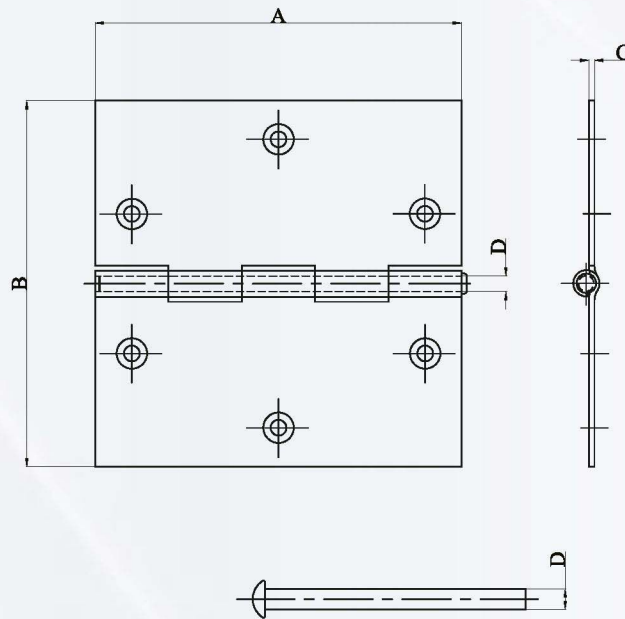


**MILD STEEL BUTT HINGES**  
**SQUARE TYPE / IS: 1341**



**Product Details**

Size & Length of Hinges		Breadth	Thickness of Flap	Dia of Hinge Pin	No. of Screw Holes	Holes for Screw No	No of Knuckles
A in (Nom)	A mm	B mm	C mm	D mm			
3"	75	75	2.00	5.60	6	8	5
4"	100	100	2.50	6.30	8	9	5